

GOT 1000

Graphical Operation Terminals

The Next Generation's Vision.

Functionality inspired by users



Powerful 64-bit RISC processor and high memory capacity means faster operation and clearer displays



Easy access USB port on the front of the operation terminal for programming and maintenance



Compact Flash memory card for storing and transporting project data



Multi-lingual support with Unicode 2.1

Clear vision



HMI's can help users see what is happening anywhere in their process.



Keep the look through

More than just an operation terminal

Mitsubishi Electric has once again set new standards in human machine communication with the new GOT1000 series of touch-screen operation terminals. Providing the features customers have been asking for was a top priority in the design of these units – combined with advanced technology and the experience drawn from a long history of HMI design. The result is products that will make work easier for programmers and service staff as well as operators.

Powerful technology

These new terminals don't just look good, they are also packed with many powerful features:

■ Expressive high-resolution screens

The high-resolution screens, with up to 65,536 colours, can display complex graphics, photos and even CAD drawings. User inputs are made by touching the screen (touch-screen).



Easy to use touch screen

■ High-speed processing

The 64-bit RISC processor used in the GOT1000 series is combined with a specially developed high-speed graphics processor. Together, they deliver impressive response and display drawing times.

■ USB port

The USB port on the front of the units makes it possible to transfer project data without opening the cabinet or control console. The port has a secure cover that maintains the IP67 protection rating. You can also use this connection for programming and diagnostics with a MELSEC PLC in transparent mode.



Easy cable connection

Innovative design

The GOT1000 series' innovative error reporting system ensures fast troubleshooting and minimum downtime. Predefined screens provide direct access to the PLC's I/Os and even the buffer memory of special-function modules.



Versatile and multi-lingual

In addition to the wide ranging support for Mitsubishi PLC's, frequency inverters and servo amplifiers, GOT1000 series can also be connected to an increasing range of automation products from other manufacturers. This enables users to start to build a common visualization strategy for their business.

Support for Unicode 2.1 enables users to easily create multi-language displays. This can then help companies who export machines to sell and support their products globally.



Brilliant colours in high resolution

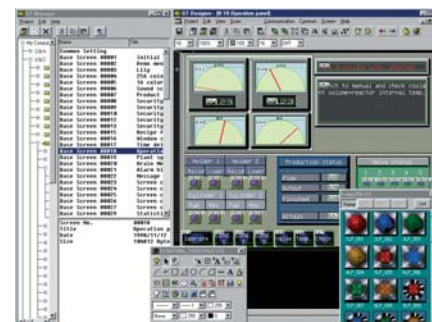
Improved screen design software

The GT Designer2 software package and its comprehensive library of graphical elements enable informative and graphically attractive screens to be built quickly and easily.

With GT Designer2 you create designs the way you imagine them. The integrated wizard function helps you to start-up a new project step-by-step. With this user-friendly setting procedure even beginners are put at ease, while experts can see drawing time reduced by half.

Final confirmation of screen design and operation is easily done. This powerful software allows users to preview screens, switch languages, manage security settings all from within the package. It also allows operational simulation for all GOT1000 and A900GOT terminals.

Projects for terminals A900GOT and F900GOT series can also be converted for the GOT1000 series with the GT Designer2 software.



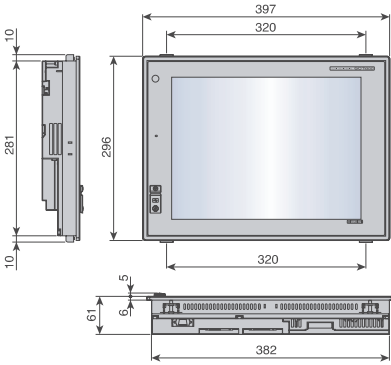
GT Designer2 has a comprehensive graphic library.

Specifications ///

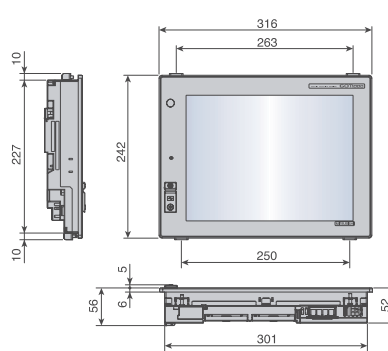
Operator Terminal		GT11					GT15				
		GT1150-QLBD	GT1150-QSBD	GT1562-VNBA	GT1572-VNBA	GT1575-VNBA	GT1565-VTBA	GT1575-VTBA	GT1575-STBA	GT1585-STBA	GT1595-XTBA
Display	Color	16 (gray-scale)	256	16	16	256	256 / optional 65536 with chip GT15-VHNB				
	Diagonal	5.7" (145 mm)	5.7" (145 mm)	8.4" (214 mm)	10.4" (264 mm)	10.4" (264 mm)	8.4" (214 mm)	10.4" (264 mm)	10.4" (264 mm)	12.1" (308 mm)	15" (381 mm)
	Size (WxH in mm)	115 x 86	115 x 86	171 x 128	211 x 158	211 x 158	171 x 128	211 x 158	211 x 158	246 x 185	304 x 228
	Type	STN					TFT				
	Resolution (pixels)	320 x 240	320 x 240	640 x 480	640 x 480	640 x 480	640 x 480	640 x 480	800 x 600	800 x 600	1024 x 768
User inputs		Touch-Screen					Touch-Screen				
CPU		64 bit RISC CPU					64 bit RISC CPU				
Internal memory (MB)		3		5	5	5	9*	9*	9*	9*	9*
Serial Interface		RS232, RS422					RS232				
USB Interface		Front USB Mini-B					Front USB Mini-B				
Memory slot		Compact flash					Compact flash				

* expandable up to max. 57 MB

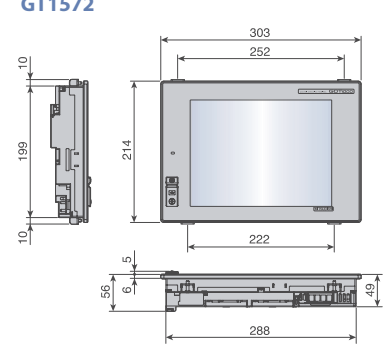
GT1595



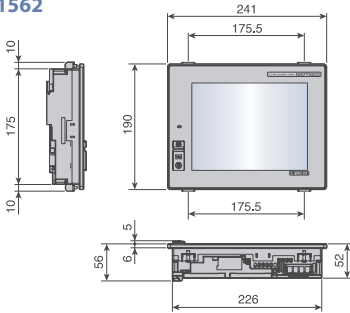
GT1585



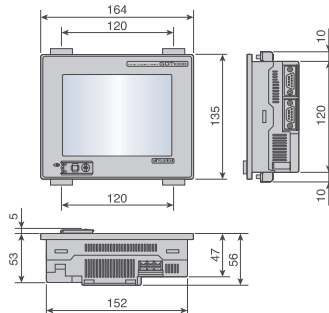
GT1575
GT1572



GT1565
GT1562



GT1155
GT1150



All dimensions in mm

All trademarks are copyright acknowledged.

EUROPEAN BRANCHES

MITSUBISHI ELECTRIC EUROPE B.V. 25, Boulevard des Bouvets F-92741 Nanterre Cedex Phone +33 1 55 68 55 68	FRANCE
MITSUBISHI ELECTRIC EUROPE B.V. Gothaer Straße 8 D-40880 Ratingen Phone +49 (0) 21 02 4 86-0	GERMANY
MITSUBISHI ELECTRIC EUROPE B.V. Westgate Business Park, Ballymount IRL-Dublin 24 Phone +353 (0)1 4198800	IRELAND
MITSUBISHI ELECTRIC EUROPE B.V. C.D. Colleoni - P.Sirio, Viale Colleoni 7 I-20041 Agrate Brianza (MI) Phone +39 (0) 3 96 05 31	ITALY
MITSUBISHI ELECTRIC EUROPE B.V. Carretera de Rubi, 76-80 E-08190 Sant Cugat del Valles Phone +34 93 565 3131	SPAIN
MITSUBISHI ELECTRIC EUROPE B.V. Travellers Lane GB-Hatfield Herts. AL10 8 XB Phone +44 (0) 1707/27 61 00	UK

EUROPEAN REPRESENTATIVES

GEVA GmbH Wiener Straße 89 AT-2500 Baden Phone +43 (0) 2252 / 85 55 20	AUSTRIA	UTU ELEKTROTEHNIKA AS Pärnu mnt. 160 EE-11317 Tallinn Phone +372 (0)6 / 51 72 80	ESTONIA	UAB UTU POWEL Savanoriu P. 187 LT-02300 Vilnius Phone +370 (0) 52 32 3-1 01	LITHUANIA	CRAFT Toplica str. 4 lok 6 SCG-1800 Nis Phone +381 (0) 18 / 292-24-4/5	SERBIA AND MONTENEGRO	GTS Danilovce Cad. No. 43A KAT:2 TR-34384 Okmeydanı-Istanbul Phone +90 (0) 212 / 3 20 16 40	TURKEY	STC Drive Technique Postanlikov per., 9, str.1 RU-105005 Moscow Phone +7 495 / 786 2100	RUSSIA
TEHNIKON Oktyabrskaya 16/5, AP 704 BY-220020 Minsk Phone +375 (0)17 / 2104626	BELARUS	Beijer Electronics OY Ansatie 6a FIN-01740 Vantaa Phone +358 (0)9 / 886 77 500	FINLAND	INTEHSIS SRL bid. Traian 23/1 MD-2000 Kishinev Phone +373 (0) 22 / 66 4242	MOLDOVA	INEA Karadjordjeva 12/260 SCG-113000 Smederevo Phone +381 (0) 26 / 617 163	SERBIA AND MONTENEGRO	Automatika Sever Ltd. Lva Tolstogo Str. 7, Off. 311 RU-197376 St. Petersburg Phone +7 812 / 718 32 38	RUSSIA	CSC Automation Ltd 15, M. Raskova St., Fl. 10, Off. 1010 UA-02002 Kiev Phone +380 (0) 44 / 494 3355	UKRAINE
Koning & Hartman b.v. Pontbeeklaan 43 BE-1731 Brussels Phone +32 (0) 2 / 467 17 51	BELGIUM	UTECCO A.B.E.E. 5, Marvogenous Str. GR-18542 Piraeus Phone +30 210 / 42 10 050	GREECE	Koning & Hartman b.v. Haarlerbergweg 21-23 NL-1101 CH Amsterdam Phone +31 (0)20 / 587 76 00	NETHERLANDS	AutoCont Control Radniškého 47 SK-02601 Dolný Kubin Phone +421 435868210	SLOVAKIA	CONSYS Promyshlennaya St. 42 RU-198099 St. Petersburg Phone +7 812 / 325 3653	RUSSIA		
AKHNATON 4, A. Ljapchev Blvd. BG-1756 Sofia Phone +359 (0)2 / 97 44 058	BULGARIA	Meltrade Automatika Fertő utca 14 HU-1107 Budapest Phone +36 (0)1 / 431-9726	HUNGARY	Beijer Electronics AS Teglværksveien 1 NO-3002 Drammen Phone +47 (0) 32 / 24 30 00	NORWAY	INEA d.o.o. Stegne 11 SI-1000 Ljubljana Phone +386 (0) 1 / 5 13 81 00	SLOVENIA	Electrotechnical Partizanskaya St. 27, Off. 306 RU-121355 Moscow Phone +7 495 / 416 4321	RUSSIA		
AutoCont Jelinkova 59/3 CZ-721 00 Ostrava Svinov Phone +420 (0)39 / 5691 150	CZECH REPUBLIC	SHERF Motion Techn. LTD Rehov Hamerkava 19 IL-58851 Holon Phone +972 (0)3 / 559 54 62	ISRAEL	MPL Technology ul. Krakowska 50 PL-32-083 Balice-Kraków Phone +48 (0) 12 / 630 47 00	POLAND	Beijer Electronics AB Box 426 S-20124 Malmö Phone +46 (0) 40 / 35 86 00	SWEDEN	ELEKTROSTYLE Postanlikov Per., 9, Str.1 RU-105005 Moscow Phone +7 495 / 542 4323	RUSSIA		
Louis poulsen Geminivej 32 DK-2670 Greve Phone +45 (0)70 / 10 15 35	DENMARK	POWEL SIA Lienes iela 28 LV-1009 Riga Phone +37 17 84 / 22 80	LATVIA	Sirius Trad. & Serv. Str. Biharica Nr.67-77 RO-013981 Bucuresti 1 Phone +40 (0) 21 / 2 01 1146	ROMANIA	ECONOTEC AG Postfach 282 CH-8309 Nürensdorf Phone +41 44 / 8 38 48 11	SWITZERLAND	ICOS Ryazanskij Prospekt, 8A, Office 100 RU-109428 Moscow Phone +7 495 / 232 0207	RUSSIA	CBT Ltd Private Bag 2016 ZA-1600 Isando Phone +27 (0) 11 / 9 28 20 00	SOUTH AFRICA



Mitsubishi Electric Europe B.V. /// FA - European Business Group /// Gothaer Straße 8 /// D-40880 Ratingen /// Germany
Tel.: +49(0)2102-4860 /// Fax: +49(0)2102-486112 /// info@mitsubishi-automation.com /// www.mitsubishi-automation.com

Specifications subject to change /// Art. no. 163197-B /// 04.2006